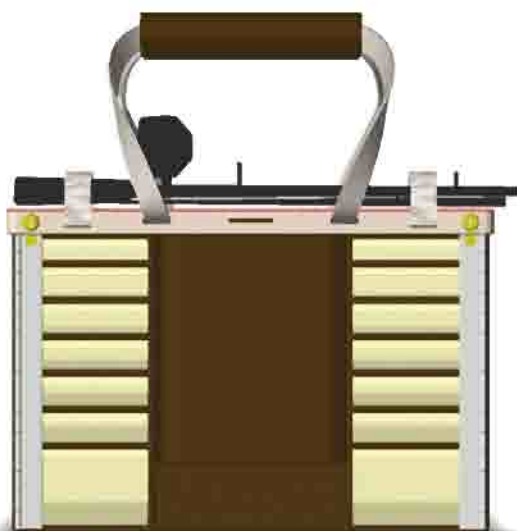


The FishMate™

a patented all-in-one fishing tackle apparatus

Features:

- Built-in bucket for the catch, bait, or hot/cold beverages
- Top of unit incorporates cutting board, pole attachment, and extendable measuring tape
- Multiple sized drawers allow for storage of both small and large fishing accessories
- Locking mechanism secures all drawers while product is in motion
- Drawers, bucket, and cutting board can be removed for cleaning dishwasher safe cleaning



UNITED STATES PATENT 5,636,469



The FishMate™

A patented all-in-one fishing tackle concept

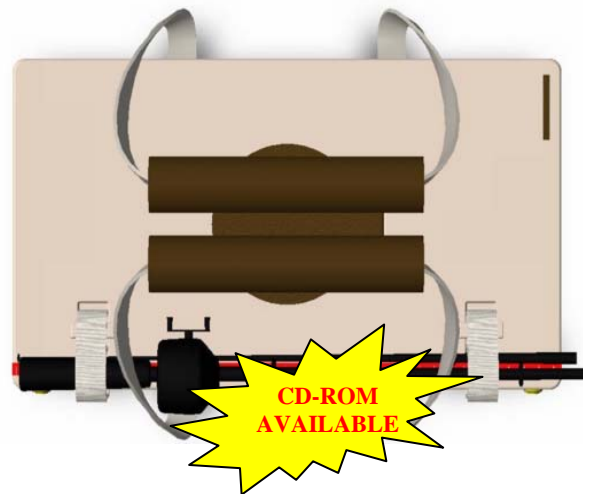
The FishMate™

is a patented all-in-one fishing tackle apparatus that allows the fisherman to carry everything necessary without having to make multiple trips to the car, boat, or RV. Its patented features allow it to hold the poles, bucket, bait, beverages, and of course the lucky catch. It provides added function beyond standard market fishing tackle boxes for people who like to retrieve fishing equipment, bait, and catch easily and efficiently.

The product resembles a picnic basket, with hinges that lock the compartment doors during transport.

The box contains various-sized drawers for hooks, lures, fishing reels, line, and/or all other fishing accessories. The top of the invention incorporates a patented cutting board and pull-out measuring tape device allowing for measurement of small and large catch. The inner cylinder of the product allows for the placement of the catch or it can be used as a cooler for bait or hot/cold beverages.

The FishMate was invented for convenience by Frank Pizzolo states “I was tired of carrying all of the equipment and making more than one trip to the car; I knew there had to be an easier way.” Frank is interested in licensing his issued patent rights to a company who sees the vision of the FishMate and who would have the capability to enable the marketplace with this unique new concept.



AVAILABLE FOR INTELLECTUAL
PROPERTY LICENSING OR ASSIGNMENT

CONTACT:
20 FIRST INNOVATIVE CREATIONS

PHONE: 480.588.7153 FAX: 480.588.7154
E-MAIL: products@21icc.com

Patented Features of FishMate

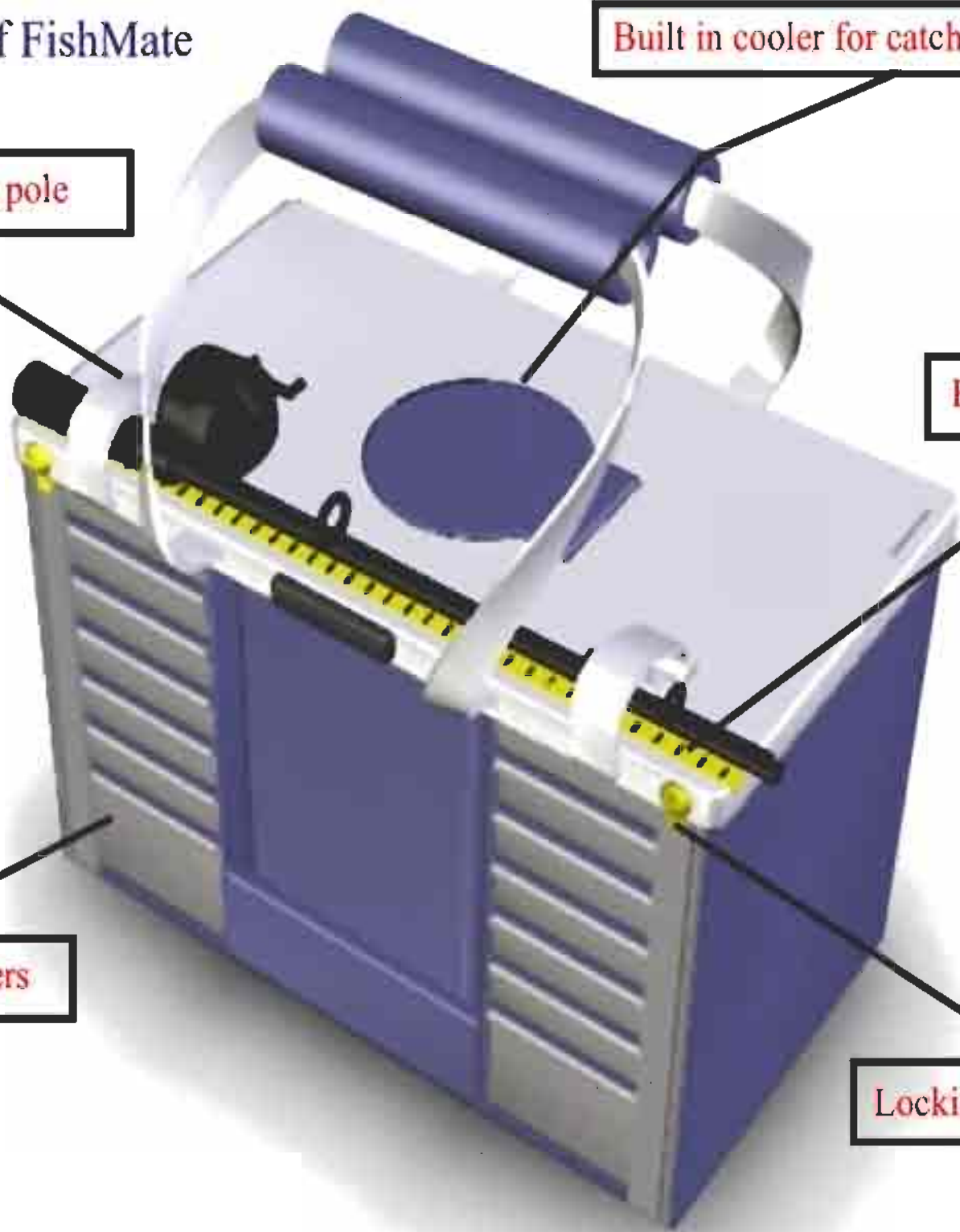
Straps secure fishing pole

Built in cooler for catch or food/beverage

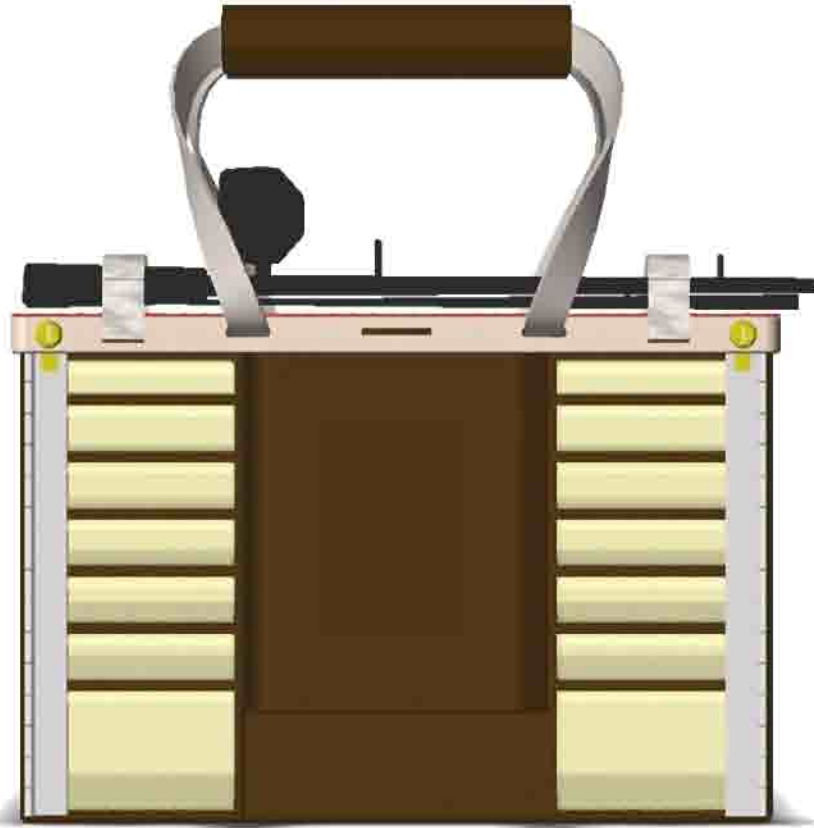
Built in tape measure

Removable Drawers

Locking drawer feature



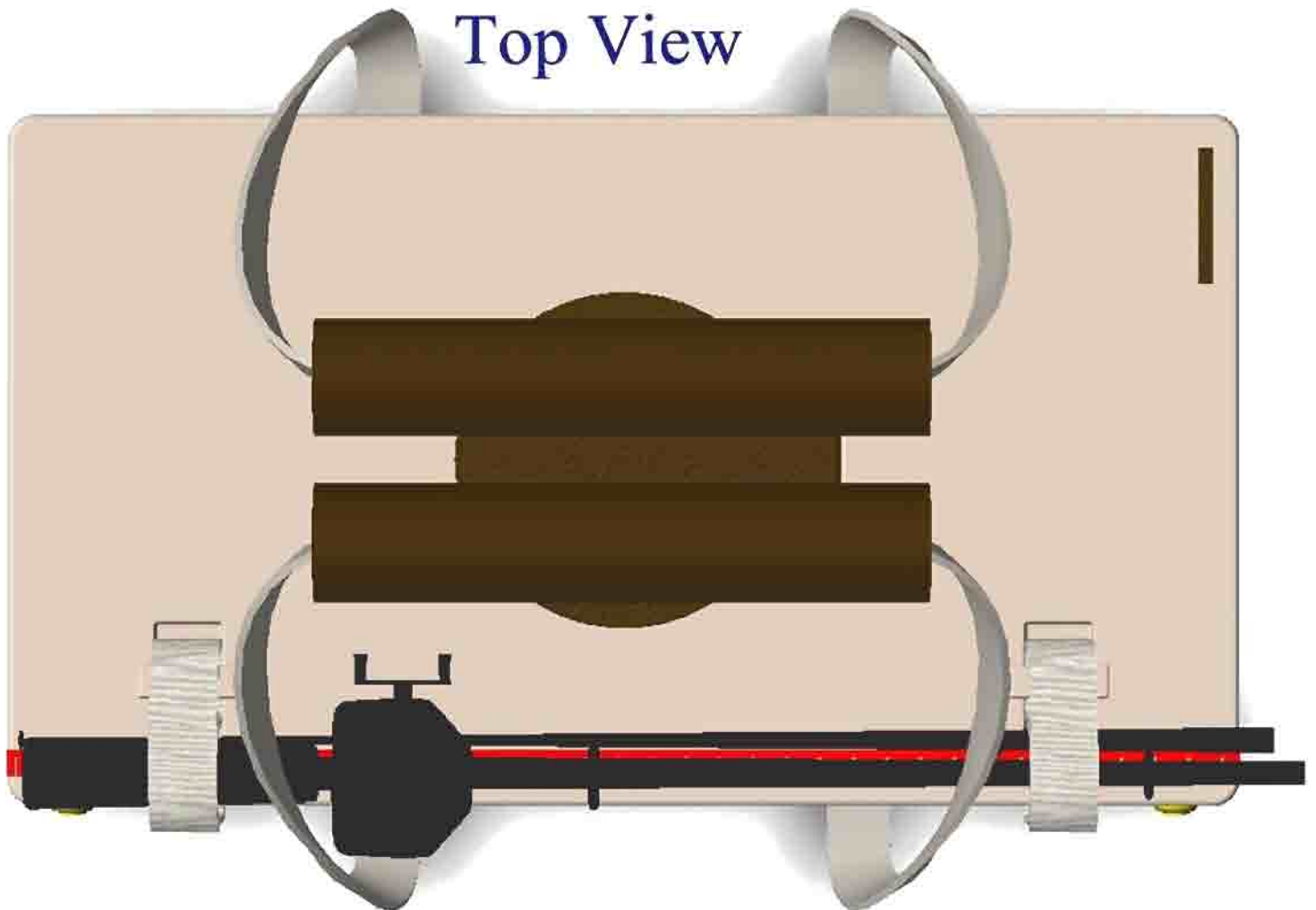
Front View



Side View



Top View



FishMate Disassembles for cleaning purposes

